

MRRDL Series - Latching Reed

SPST - N.O., 0.5 Amp

The MRR-D series is a latching reed relay. Form A or Form C contact stands less than 5/16" above the PC mounting surface. To accommodate Form B or 2 Form A contacts the relay is slightly under 3/8" high. These relays offer mercury reed contacts 8, 12, or 14 pins and a variety of other options. All relays mate with the standard 14 pin DIP socket. Low powers 5 volt models provide operation on less than 50 milliwatts.

GENERAL SPECIFICATIONS (@ 25° C)

Contacts:

Contact Configuration	SPST-NO
Contact Material	Rhodium
Contact Rating	
Load (maximum)	10VA
Switching Voltage (maximum)	100VDC
Switching Current (maximum)	0.5 Amp
Carry Current (maximum)	0.5 Amp
Contact Resistance, Initial	100 milliohms max @ 6VDC

Coil:

Coils Available	DC
Coil Power	Varies
Input Voltage Tolerance - DC	80% to 110% of nominal
Drop-out voltage	10% of nominal
Duty	Continuous

Timing:

Operate Time	1ms
(typical w/o suppression)	
Release Time	1ms
(typical w/o suppression)	

Dielectric Strength:

Across Open Contacts	150VRMS
Between Mutually Insulated Points	1500VRMS
Insulation Resistance	1000 megohms @ 500VAC

Capacitance:

Across Open Contacts	2pF
----------------------	-----

Temperature:

Operating	-40 to 85°C (-40 to 185°F)
Storage	-40 to 105°C (-40 to 221°F)

Life Expectancy:

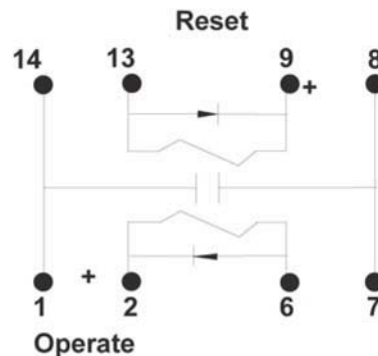
Electrical (full load operations)	10,000,000
Mechanical (no load operations)	100,000,000

Miscellaneous:

Vibration	20 G's to 200Hz
Mounting Position	Any
Accessories	
Weight	Varies



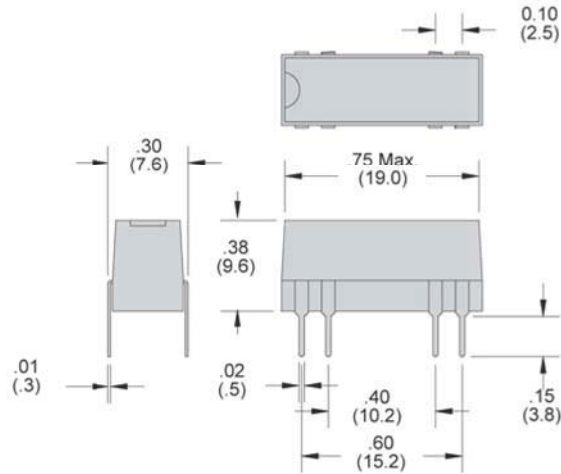
MRRDL Wire Diagram
(Top View)



Reed Relays

Outline Dimensions

Dimensions Shown in inches & (millimeters)



MRRDL Part Number Chart

Part number	Nominal input voltage	Maximum pull-in	Minimum dropout	Nominal resistance (ohms)	Nominal power (mW)	Maximum Contact Rating	
						Maximum switching load	Carry current (Amps)
SPST - N.O. - Latching							
MRRDL1AS8-5D	5	3.8	0.5	750	35	10VA	1.5 Amps
MRRDL1AS8-12D	12	9	1	1000	145	0.5 Amps	
MRRDL1AS8-24D	24	18	2	4600	125	100VDC	